

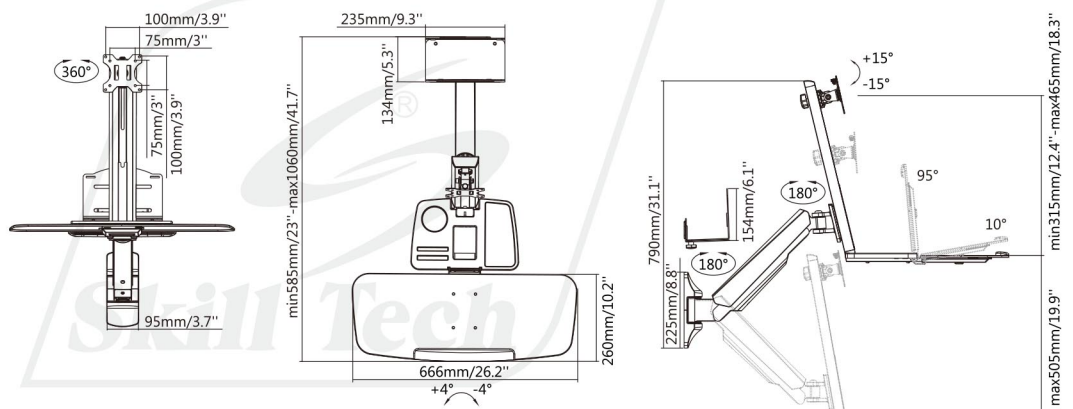
# SHS02 W01

## Sit-stand Workstation Mount

Single Monitor with Keyboard Tray



### Standing to Sitting Transition



Screen Size  
13"-32"



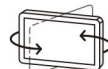
Weight Capacity  
2-8kg/4.4-17.6lbs



Weight Capacity  
1kg/2.2lbs



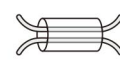
Tilt Range  
+15° ~ -15°



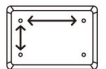
Swivel Range  
+90° ~ -90°



Screen Rotation  
360°



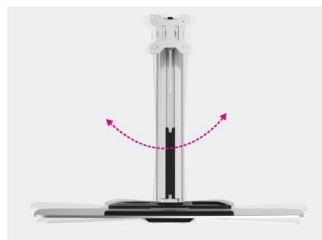
Cable Management



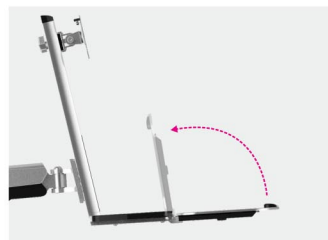
VESA Compatible  
75x75 100x100



**Detachable VESA Plate**  
for easy installation.



**Micro Level Adjustment**  
enables precision alignment  
of the keyboard configuration.



**Foldable Keyboard Tray**  
saves space when not in use.



**Secondary Storage Tray**  
offers ample accommodation  
for the cup, phones, notes,  
stationery, etc.